

# Bench Setter Microscope system

Item# 271-3045

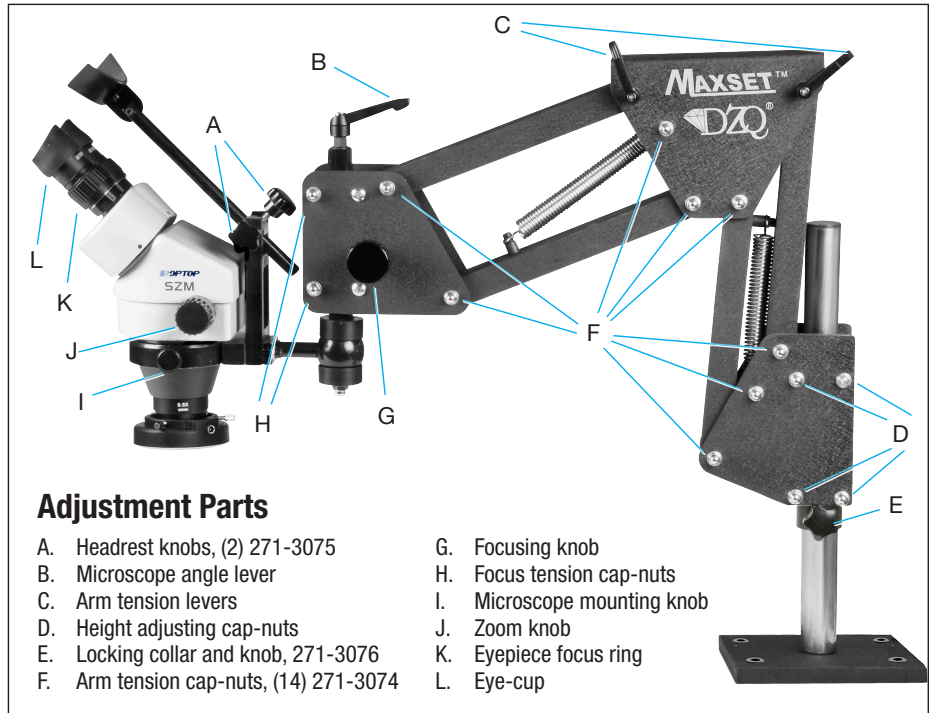
## Assembly and Use

- Once the stand is secured to the bench, mount the microscope and headrest to the stand.
- The lens is screwed into place and the eyepieces are secured with setscrews. The dimmable LED light is then attached by tightening the 3 screws so that they go into the groove on the lens.
- The initial height adjustment is made by loosening cap-nuts (D) and raising or lowering the whole assembly on the stand so that viewing is comfortable for the operator. The collar (E) is then moved up as shown in Fig. 2 and tightened.
- Cap-nuts (F) can be loosened or tightened to provide more or less flexibility for the arm movement. Cap-nuts (H) are for adjusting the tension on the focus knob.
- The arm needs to be angled down slightly or the upper spring will not remain in place.
- Zoom all the way out by turning the zoom knob (J) to .07.
- Loosen levers (B & C) and move the scope so that the object shows up in the eye pieces. The levers can then be tightened.
- Eye pieces are moved together or apart until a clear view is obtained. This might need to be adjusted again throughout the focusing process.
- The individual eyepieces are rotated so they are midway up and down.
- An approximate focus is made by looking through one eye and turning the focus knob (G).

- Focus is made for the other eye by turning the eyepiece focus ring (K). Fine focus is made by adjusting the focus ring, one eye at a time. Whenever you turn the focus ring it is important to keep the eye-cup in place, which can be held with your other hand. Focus should now be sharp in both eyes. If either eyepiece is at the top or bottom of its range, the focus knob should be readjusted.
- To zoom in turn the zoom knob to the desired magnification. When changing the magnification it might be necessary to refocus using the focusing knob.



Fig. 1



### Adjustment Parts

- |  |                             |
|--|-----------------------------|
| A. Headrest knobs, (2) 271-3075        | G. Focusing knob            |
| B. Microscope angle lever              | H. Focus tension cap-nuts   |
| C. Arm tension levers                  | I. Microscope mounting knob |
| D. Height adjusting cap-nuts           | J. Zoom knob                |
| E. Locking collar and knob, 271-3076   | K. Eyepiece focus ring      |
| F. Arm tension cap-nuts, (14) 271-3074 | L. Eye-cup                  |

Fig. 2

### Tips

- Eyeglasses should be removed when using this microscope.
- Clean smudges and dust by wiping off the lenses with a microfiber cloth or lens tissue.
- Use dust cover provided when microscope is not in use.
- The bottom lens provides a longer working distance and a place to mount the light. However the microscope may be used without this lens if greater magnification is necessary (up to 45X).

### Scope & Parts

Complete Scope	#271-3045
Replacement Springs	#271-3039
Versatile Stand	#271-3046
Microscope & Lens	#271-3047
LED Ring Light	#271-3057
Objective Lens 2.0X	#271-3071
10X Eyepieces (pair)	#271-3072
Scope Head Block	#271-3059